

# Gas Analysis By Valve System (H<sub>2</sub>, CH<sub>4</sub>, CO, CO<sub>2</sub>, MeOH)

## 1. Analytical Condition

### YL 6500 Series GC

Injector : Capillary1 (120 °C) Ar 30ml/min (SR 5:1)

Capillary2 (120 °C) Ar 4ml/min (SR 5:1)

Valve 1 (10port, 120 °C, 250ul loop\*2), V2 (6port, 120 °C)

Oven : 40°C (6min) -> 30 °C/min -> 150 °C(0.1min)

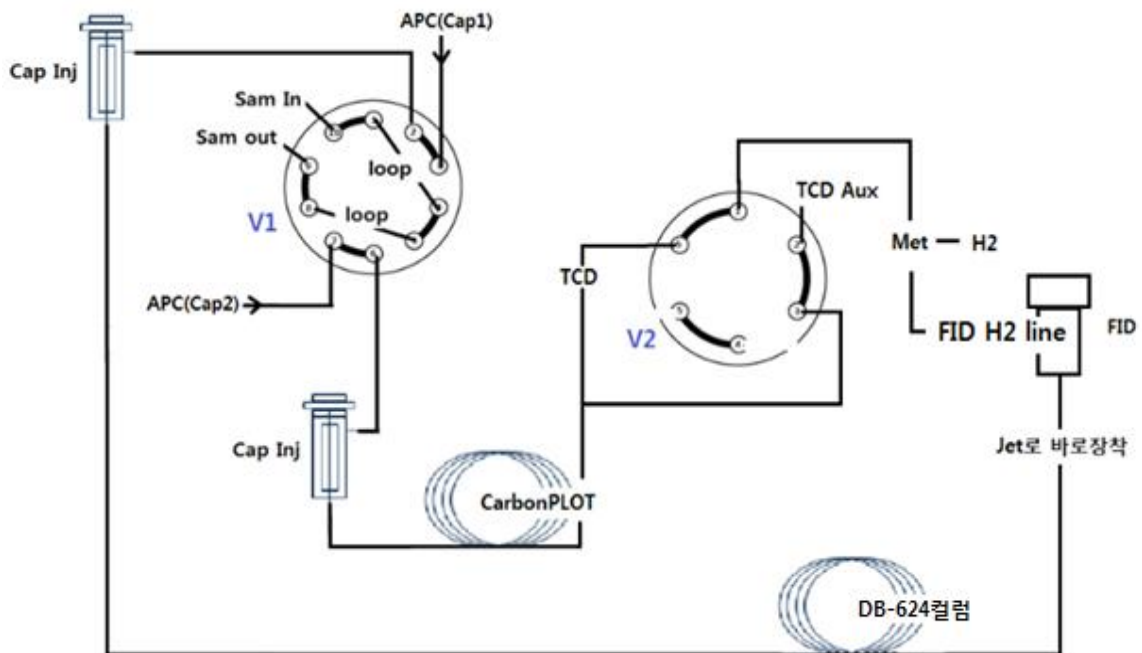
Detector : MET 350 °C -FID 230 °C, TCD 120 °C (Ref21/Mkup17ml/min)

Column : Capillary 1 - DB-624 (30 m × 0.53 mm × 3.0um)

Capillary 2 - CarbonPLOT (30 m × 0.53 mm × 3.0um)

Valve Program

Time(min)	Valve1	Valve2
0.1	on	off
6.5	-	on



## Gas Analysis By Valve System (H<sub>2</sub>, CH<sub>4</sub>, CO, CO<sub>2</sub>, MeOH)

